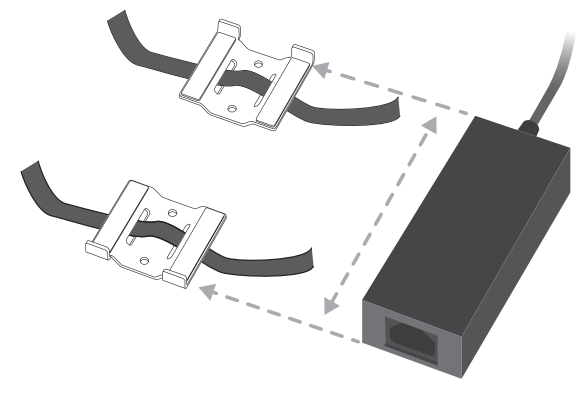
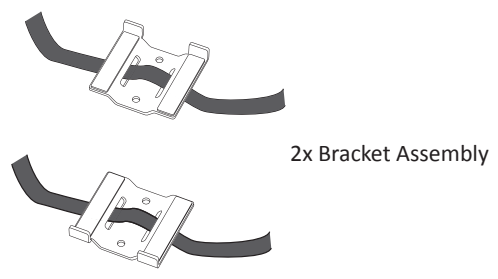


# Power Supply Bracket Installation Guide

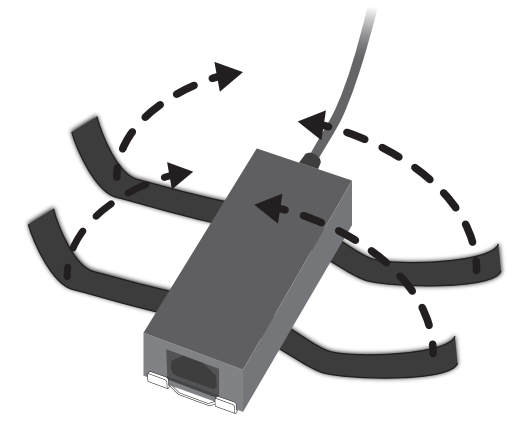
**WARNING:** Failure to read or follow the directions below can result in damaged equipment or Power Supply, these will not be covered under warranty.

## What's Included



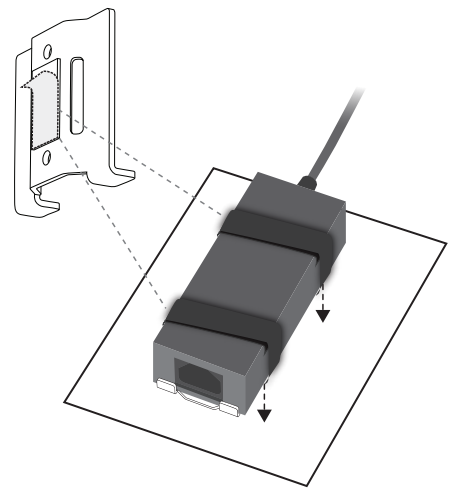
### Step 1

1. Attach the Bracket Assemblies to the power supply.



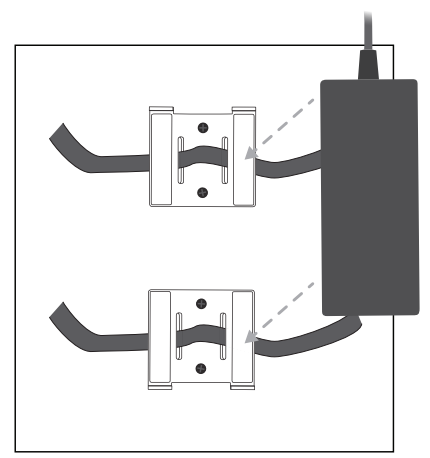
### Step 2

1. Strap the power supply in using the Velcro straps.



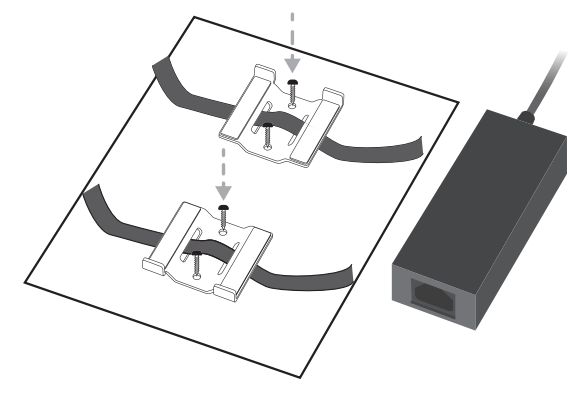
### Step 3

1. Remove the adhesive backing from the Bracket Assemblies.
2. Place the unit in the desired mounting spot.



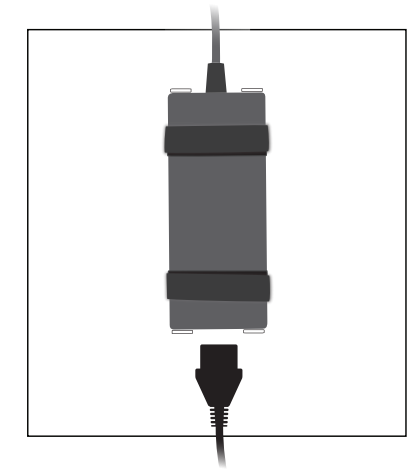
### Step 4

1. Remove the power supply from the now in place Bracket Assembly.



### Step 4

1. Use the included Mounting Screws to secure the Bracket Assemblies into place.



### Step 5

1. Strap the power supply back into the Assembly and it is ready for use.